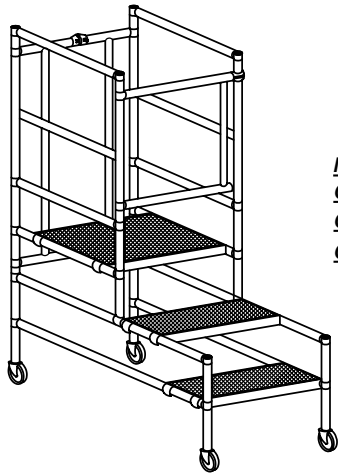


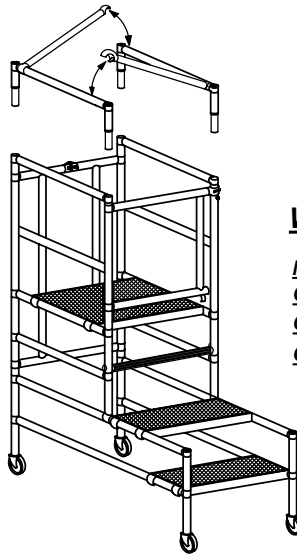
# PODIUM TYPES



## MK 1 PODIUM

MAX PLATFORM HEIGHT 0.92 M  
O/ALL HEIGHT 1.990 M  
O/ALL LENGTH 1.25 M  
O/ALL WIDTH 0.68 M

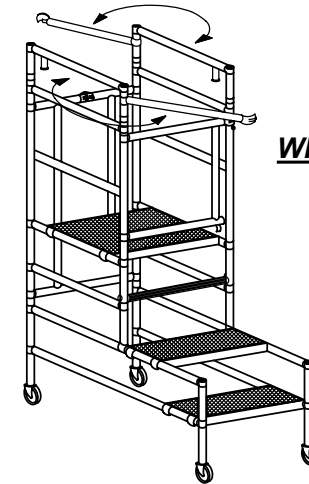
CALCULATED Kg 22



## MK 1 PODIUM WITH ADAPTION KIT

MAX PLATFORM HEIGHT 1.17 M  
O/ALL HEIGHT 2.125 M  
O/ALL LENGTH 1.25 M  
O/ALL WIDTH 0.68 M

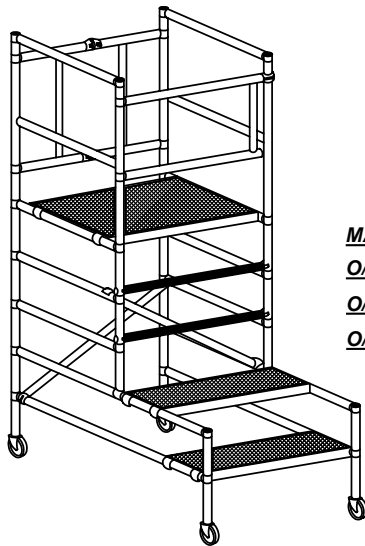
CALCULATED Kg 24



## MK 1 PODIUM WITH IN-BUILT GUARDRAIL

MAX PLATFORM HEIGHT 1.17 M  
O/ALL HEIGHT 2.125 M  
O/ALL LENGTH 1.25 M  
O/ALL WIDTH 0.68 M

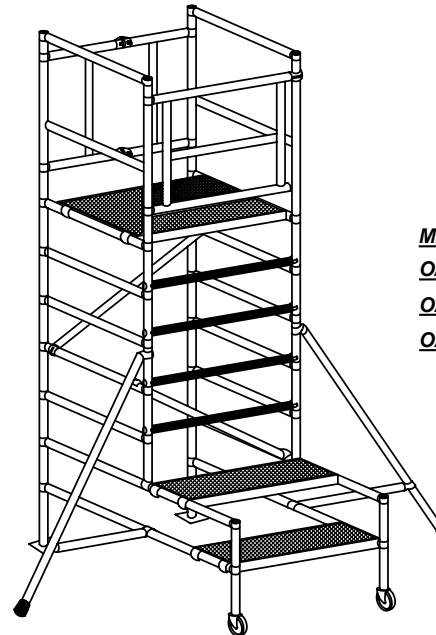
CALCULATED Kg 26



## MK 11 PODIUM

MAX PLATFORM HEIGHT 1.542 M  
O/ALL HEIGHT 2.555 M  
O/ALL LENGTH 1.25 M  
O/ALL WIDTH 0.9 M

CALCULATED Kg 29



## MK 111 PODIUM

MAX PLATFORM HEIGHT 1.9 M  
O/ALL HEIGHT 2.9 M  
O/ALL LENGTH 1.3 M  
O/ALL WIDTH 0.9 M ( WITHOUT STABS )

CALCULATED Kg 46

DIAGRAMATIC SKETCH FOR ILLUSTRATION PURPOSES INLY

PODIUM - VARIOUSTYPES 26.11.03

MK11 MID RAIL SHOWN 26.11.03

MK1 PLAT HT ALT'D 05.02.04